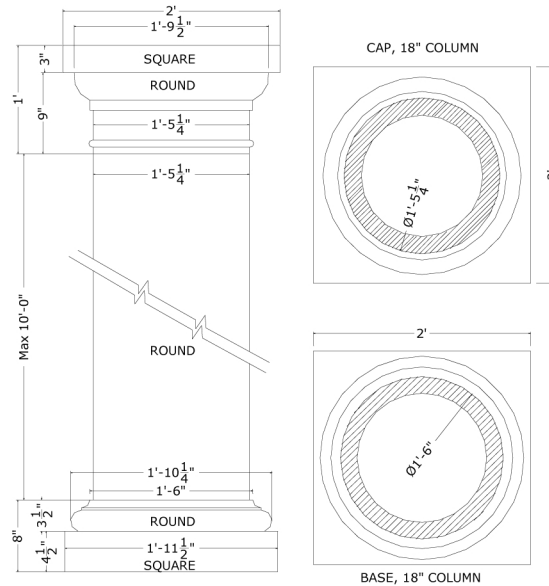


COLUMNS

COLUMN



Straight, Fluted and Spiral columns available in the following diameters: 6", 8", 10", 12", 14", 16" and 18"

Taper columns are available in any taper size.

Taper flute not available.

NOTE: See column base and capital section for profile, size and types.

NOTE: See the texture chart and the color chart for available selections.

COLUMNS (available in any size)

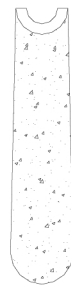
COLUMN TYPES



Fluted



Spiral



Tapered



Segmented



Tuscany



Regular

3700 MERCANTILE AVE.
NAPLES, FL 34104

KCI
ARCHITECTURAL ELEMENTS
MANUFACTURING & INSTALLATION
OF CAST STONE

OFFICE (239) 649-6600
ACCOUNTS@KCIFL.COM