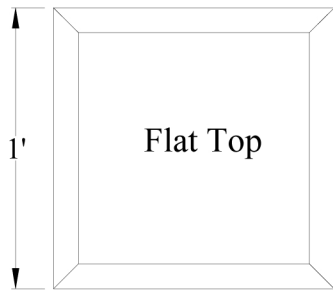
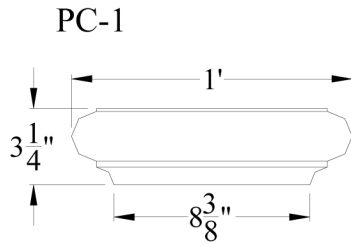
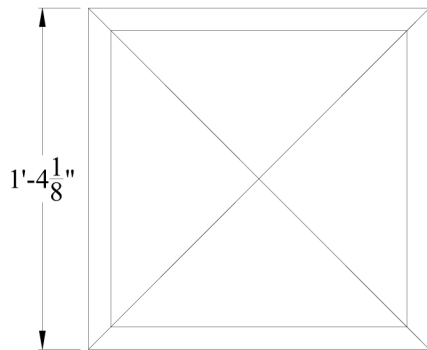
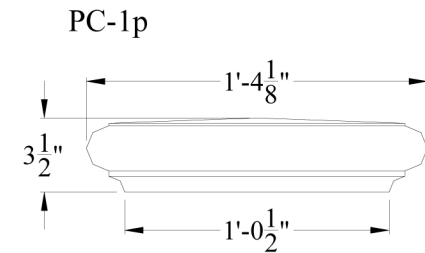
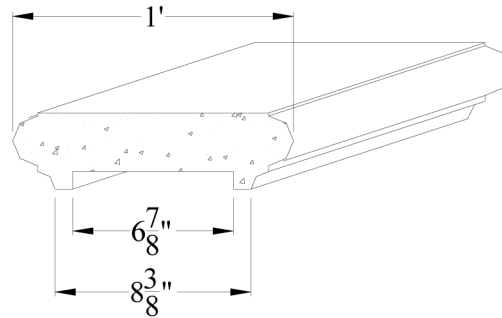


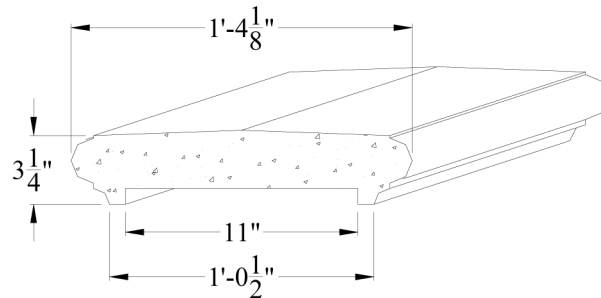
PIER/WALL CAPS – (Details PWC-1)



WC-1



WC-1p



3700 MERCANTILE AVE.
NAPLES, FL 34104



KCI
ARCHITECTURAL ELEMENTS
MANUFACTURING & INSTALLATION
OF CAST STONE



OFFICE (239) 649-6600
ACCOUNTS@KCI.FL.COM