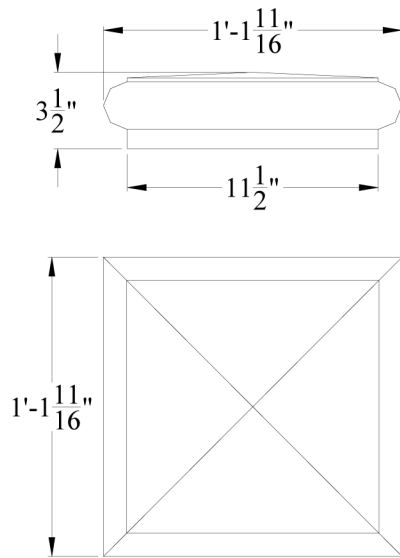
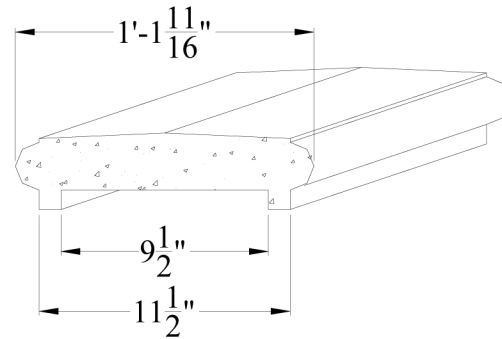


PIER/WALL CAPS - (Details PWC-5)

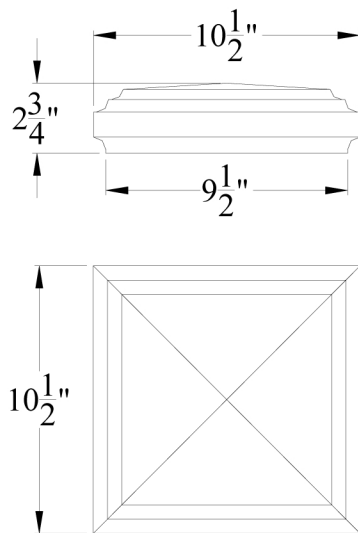
PC-8



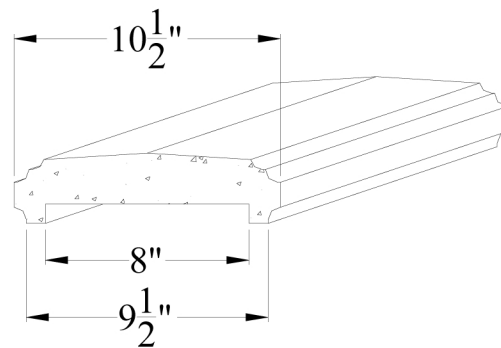
WC-8



PC-9



WC-9



3700 MERCANTILE AVE.
NAPLES, FL 34104



KCI
ARCHITECTURAL ELEMENTS
MANUFACTURING & INSTALLATION
OF CAST STONE



OFFICE (239) 649-6600
ACCOUNTS@KCIFL.COM