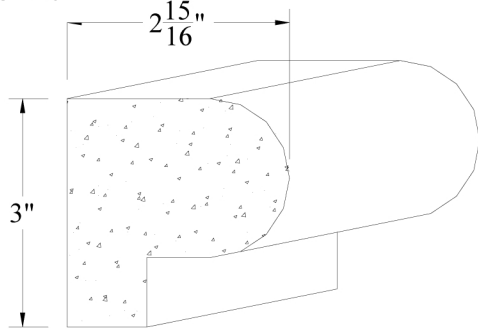
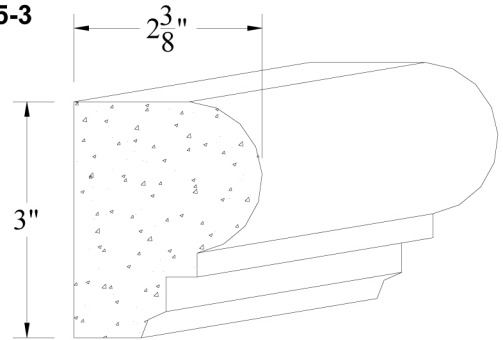


3" TRIM PROFILES (Details TP-2)

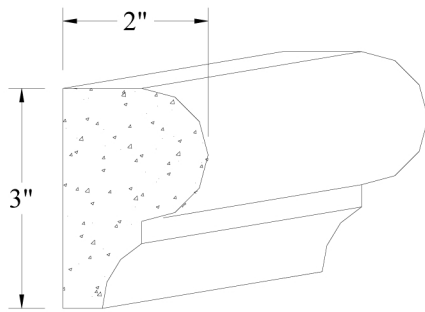
TP#24-3



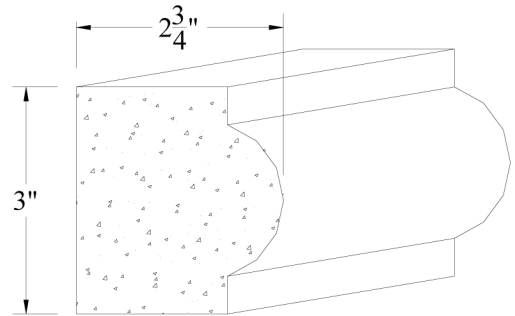
TP#35-3



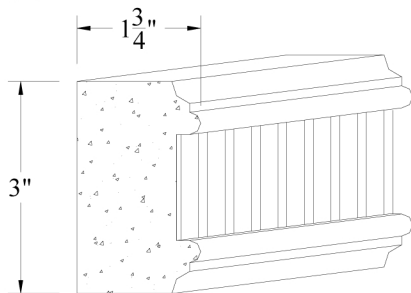
TP#73-3



TP#91-3

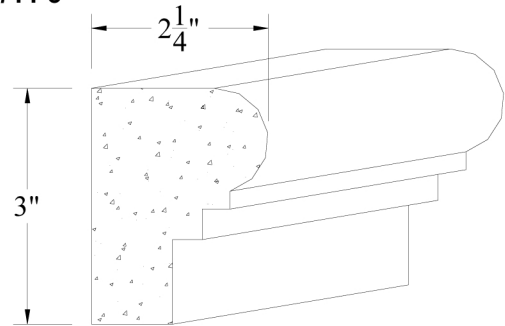


TP#100-3



(AVAILABLE IN 3" ONLY)

TP#44-3



3700 MERCANTILE AVE.
NAPLES, FL 34104



KCI
ARCHITECTURAL ELEMENTS
MANUFACTURING & INSTALLATION
OF CAST STONE



OFFICE (239) 649-6600
ACCOUNTS@KCIFL.COM