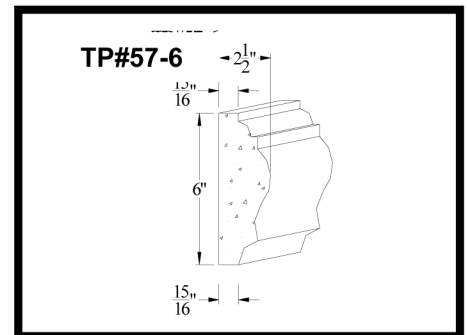
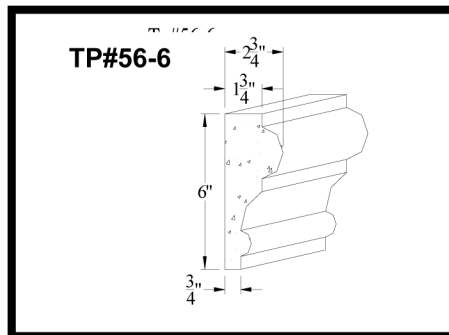
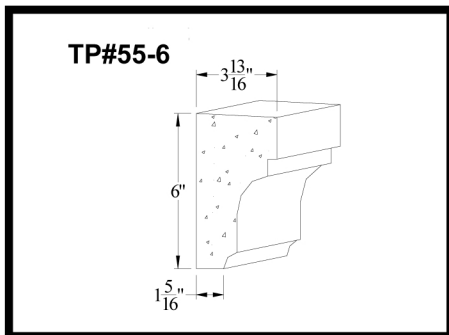
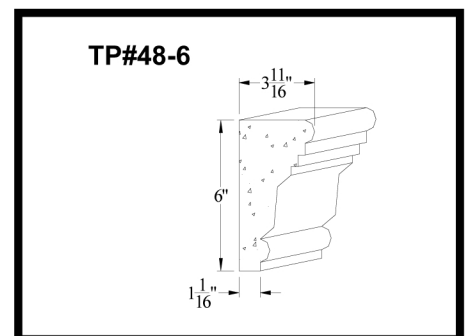
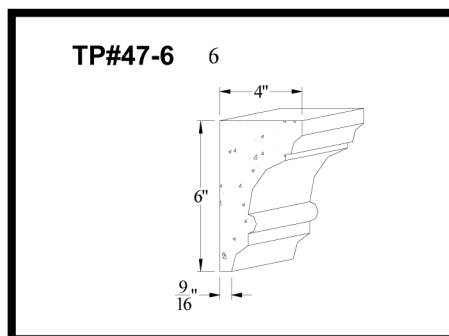
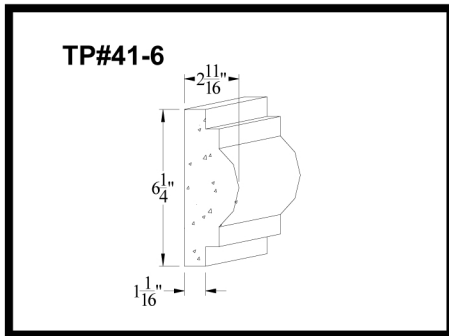
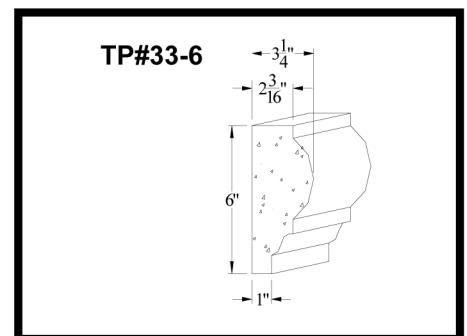
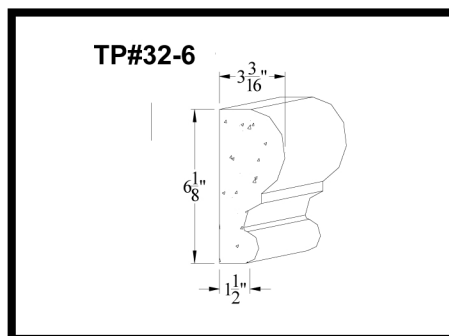
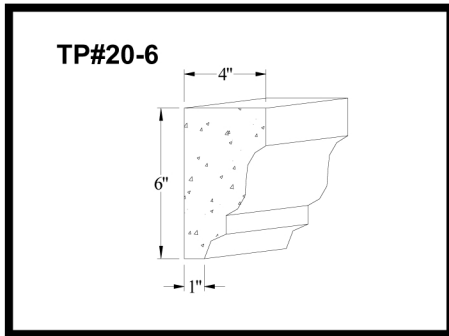
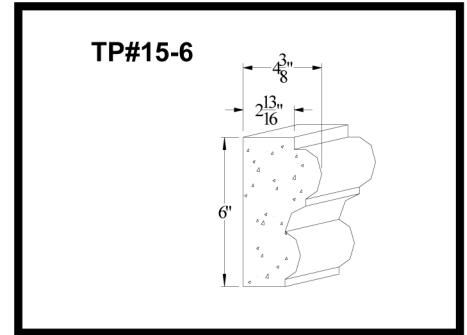
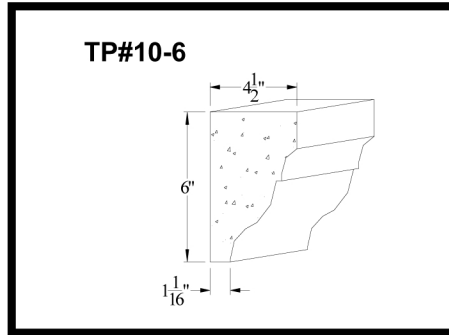
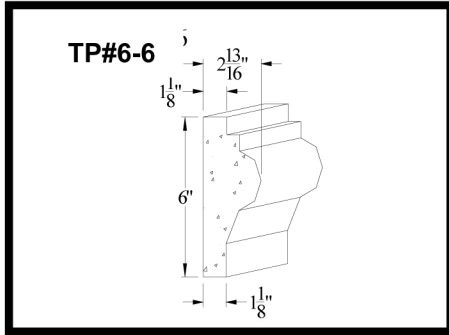


6" TRIM PROFILES (Details TP-5)



3700 MERCANTILE AVE.
NAPLES, FL 34104



KCI
ARCHITECTURAL ELEMENTS
MANUFACTURING & INSTALLATION
OF CAST STONE



OFFICE (239) 649-6600
ACCOUNTS@KCIFL.COM