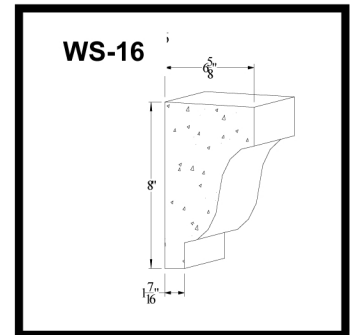
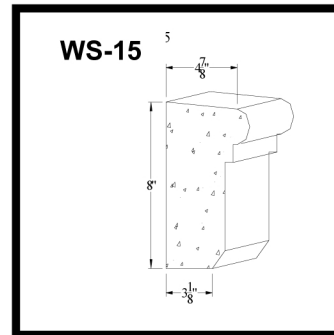
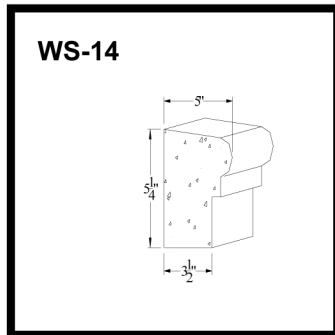
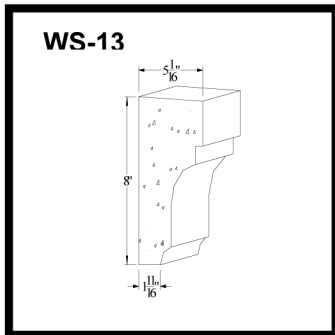
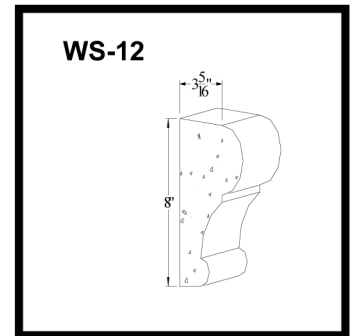
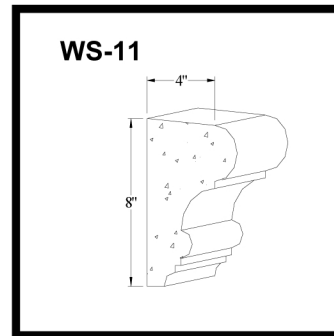
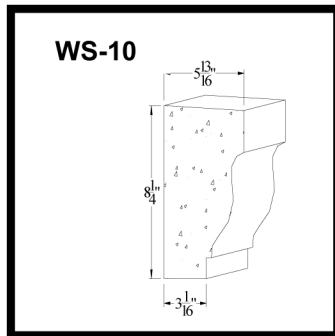
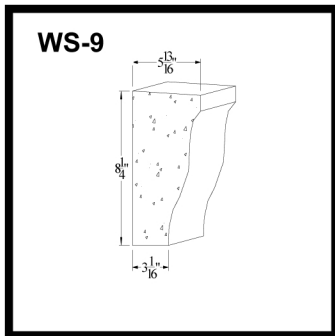
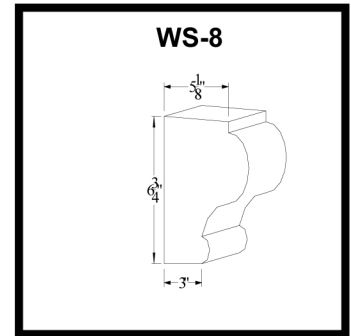
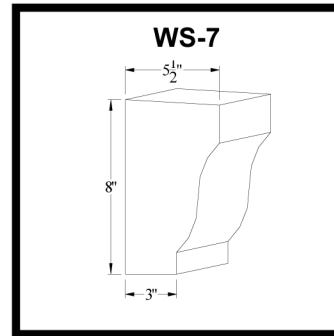
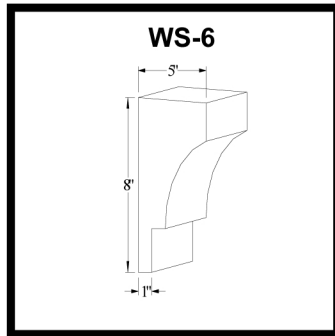
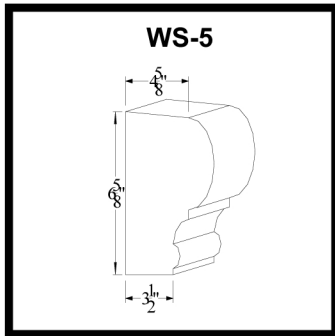
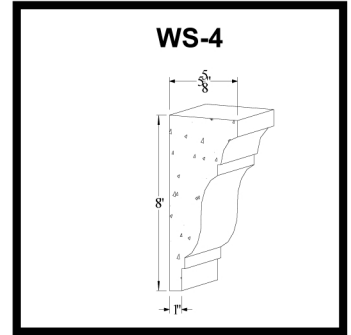
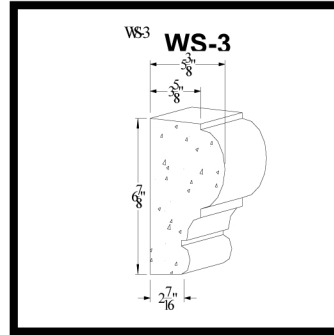
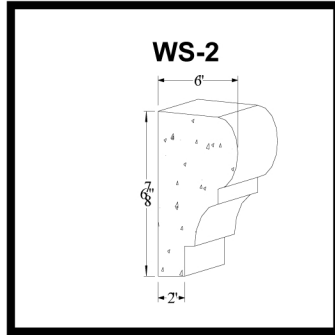
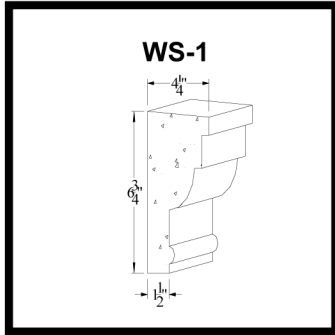


# WINDOW SILLS – (Details WS-1 thru WS-16)



3700 MERCANTILE AVE.  
NAPLES, FL 34104



**KCI**  
ARCHITECTURAL ELEMENTS  
MANUFACTURING & INSTALLATION  
OF CAST STONE



OFFICE (239) 649-6600  
ACCOUNTS@KCIFL.COM